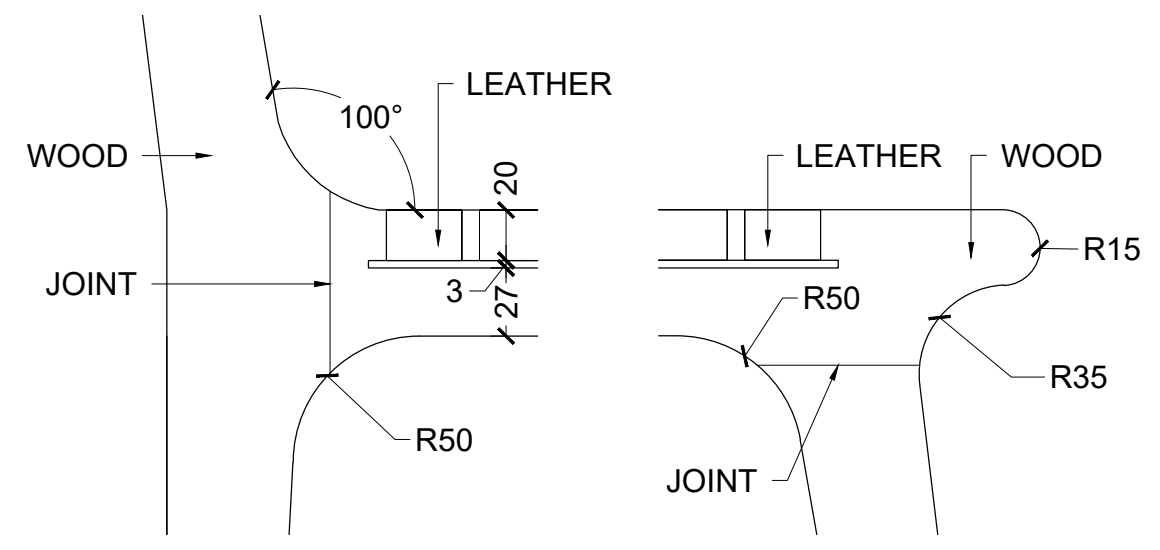
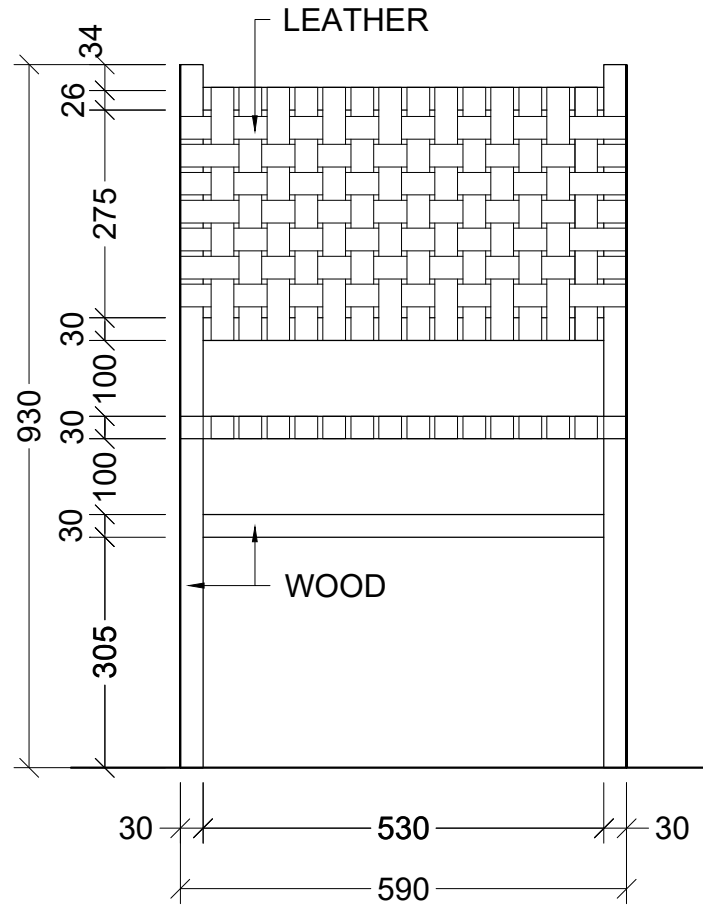


1 PLAN VIEW @DINING CHAIR  
SCALE: 1:10

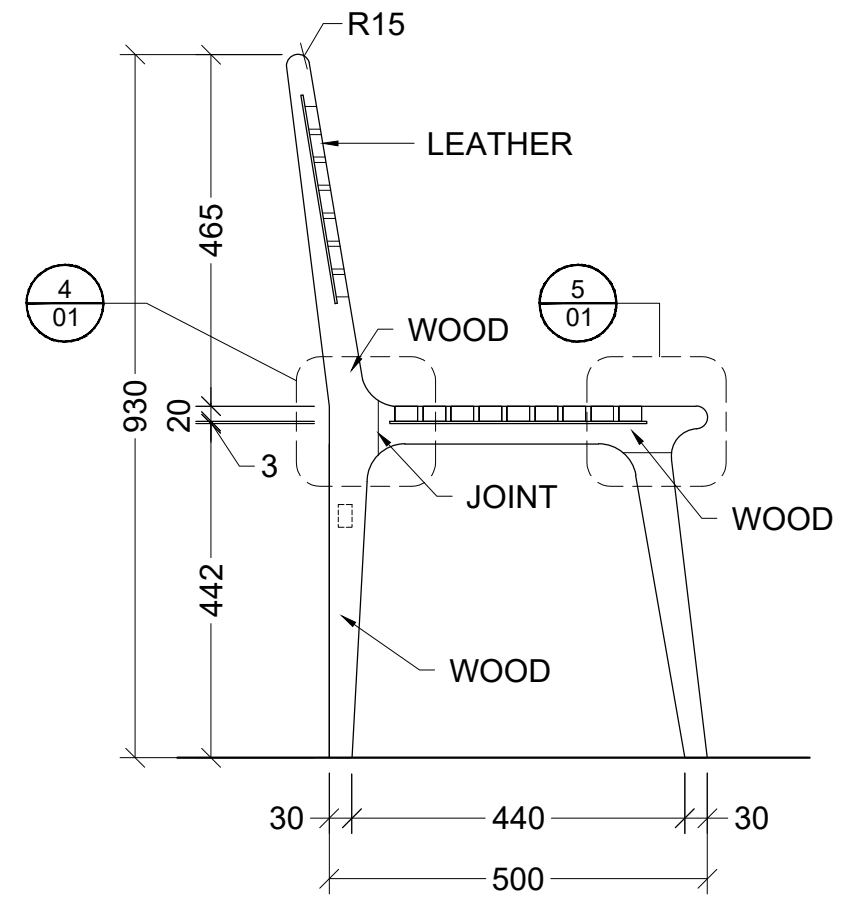


4 DETAIL  
SCALE: 1:3

5 DETAIL  
SCALE: 1:3



2 FRONT VIEW @DINING CHAIR  
SCALE: 1:10



3 SIDE VIEW @DINING CHAIR  
SCALE: 1:10

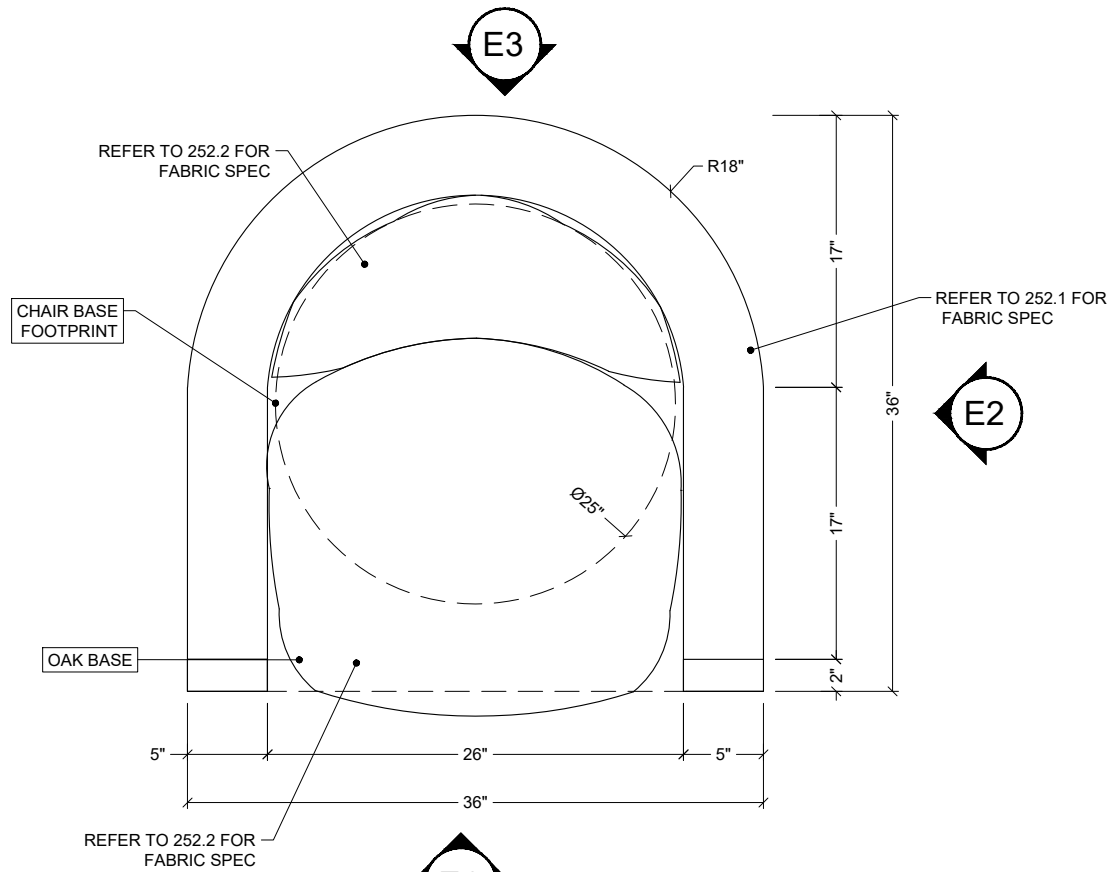
DRAWING NAME  
**DINING CHAIR**

PROJECT #  
-

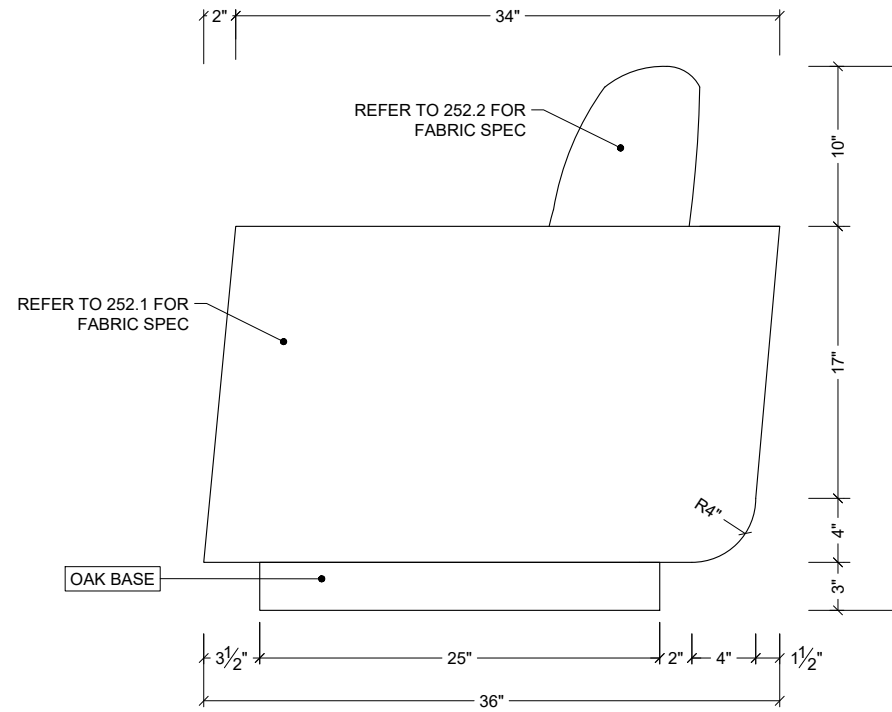
DATE  
07/20/2018

DRAWN BY  
ArchiCGI

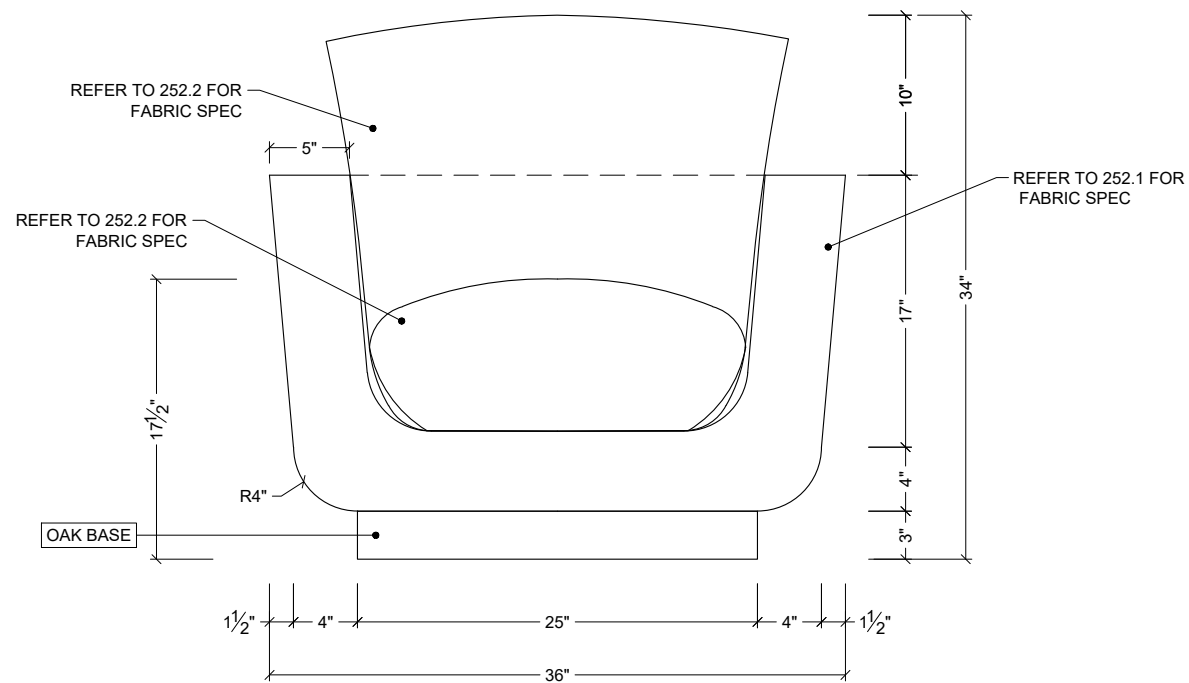
PAGE #  
**01**



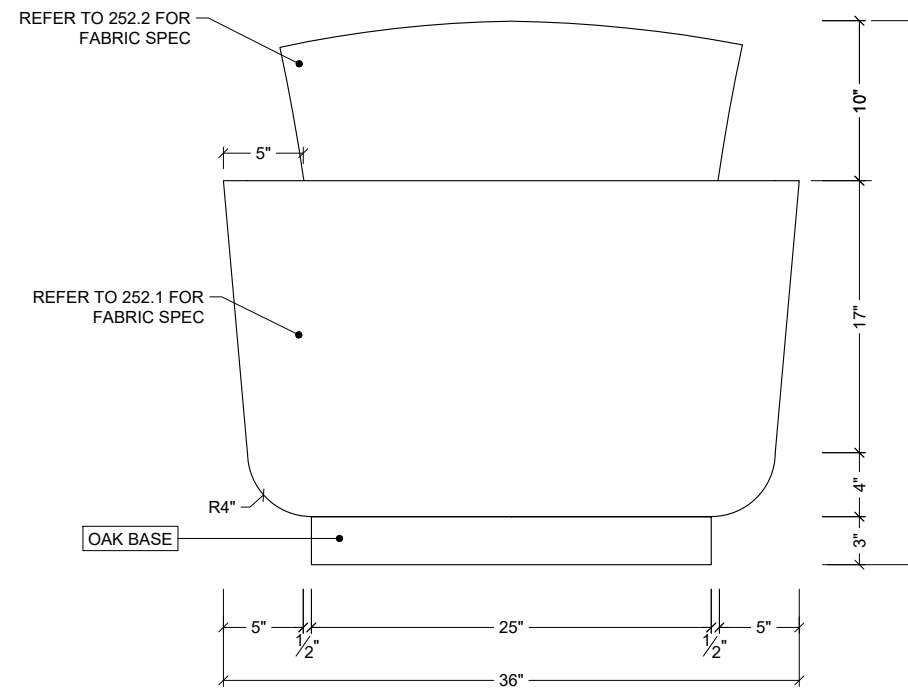
P1 PLAN SCALE: 1"=1'-0"



E2 SIDE ELEVATION SCALE: 1"=1'-0"



E1 FRONT ELEVATION SCALE: 1"=1'-0"



E3 BACK ELEVATION SCALE: 1"=1'-0"

DRAWING NAME SEATING AT LOUNGE

PROJECT # -

DATE 07/20/2018

DRAWN BY ArchiCGI PAGE # 1