







1
01 FIELD DIMENSIONS
SCALE: 3/4"=1'-0"

LEGENDS

MATERIAL LEGEND

-  GWB
-  PLYWOOD
-  WOOD
-  GLASS & MIRROR
-  TILING & STONE
-  CONCRETE

ADDRESS
BLD
STREET
CITY, STATE

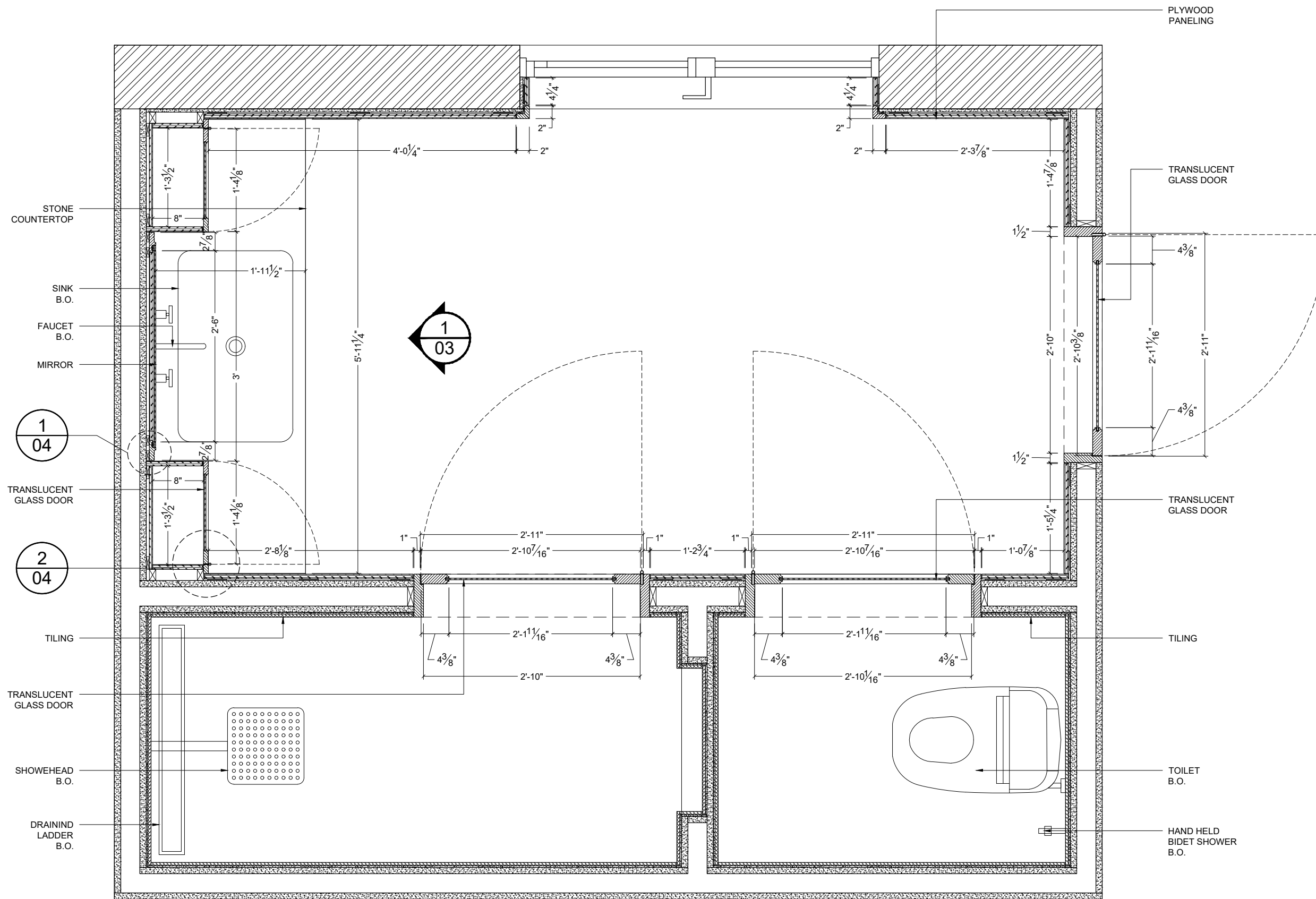
DRAWING NAME
BATHROOM

PROJECT #
#43125

DATE
07/26/2017

DRAWN BY
CGI

PAGE #
01



1
02 PLAN VIEW @ 6'-8" A.F.F.
SCALE: 3/4"=1'-0"

LEGENDS

MATERIAL LEGEND

- GWB
- PLYWOOD
- WOOD
- GLASS & MIRROR
- TILING & STONE
- CONCRETE

ADDRESS
BLD
STREET
CITY, STATE

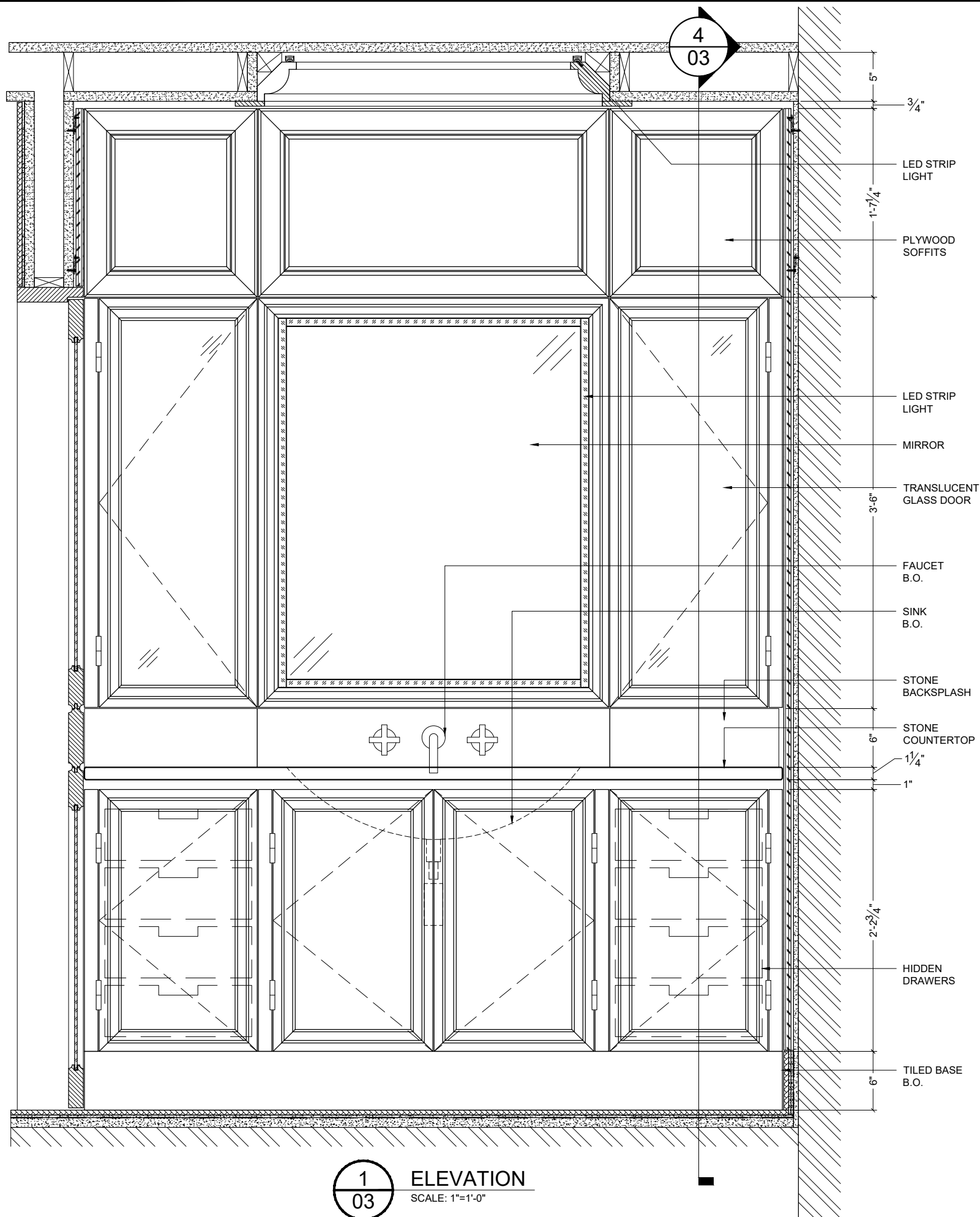
DRAWING NAME
BATHROOM

PROJECT #
#43125

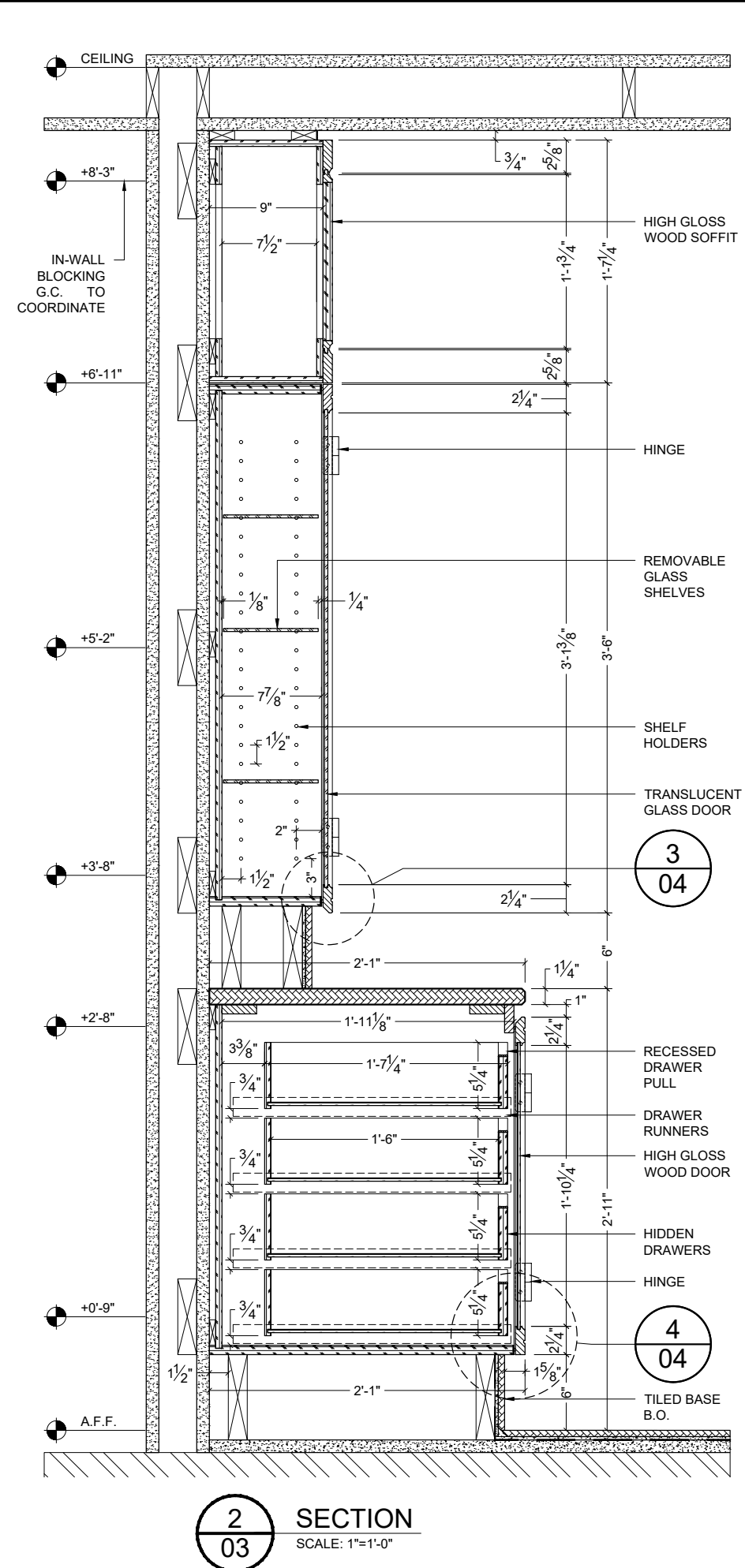
DATE
07/26/2017

DRAWN BY
CGI

PAGE #
02



1
03 ELEVATION
SCALE: 1"=1'-0"



2
03 SECTION
SCALE: 1"=1'-0"

LEGENDS

MATERIAL LEGEND

- GWB
- PLYWOOD
- WOOD
- GLASS & MIRROR
- TILING & STONE
- CONCRETE

ADDRESS

BLD
STREET
CITY, STATE

DRAWING NAME

BATHROOM

PROJECT #

#43125

DATE

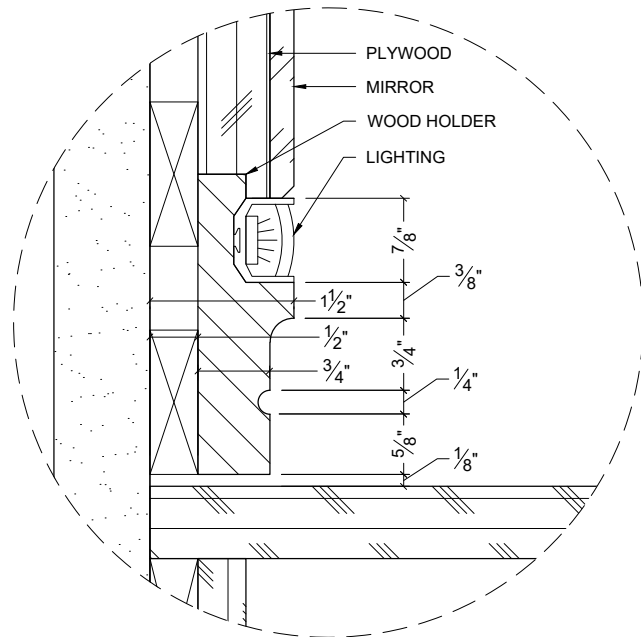
07/26/2017

DRAWN BY

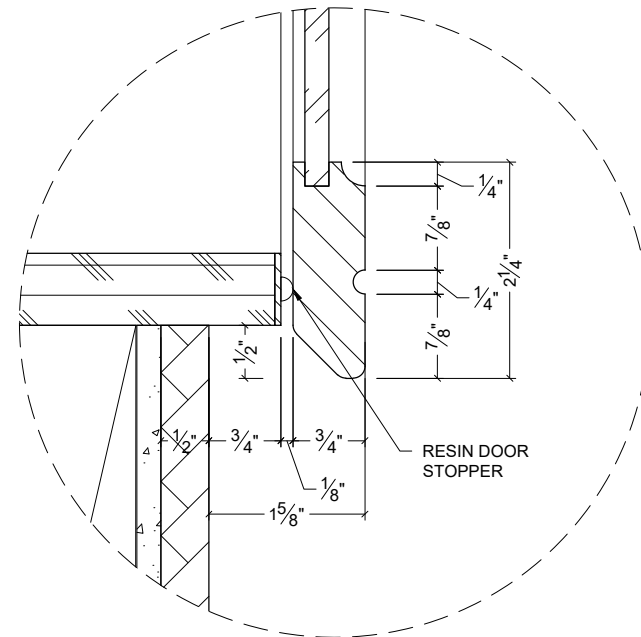
CGI

PAGE #

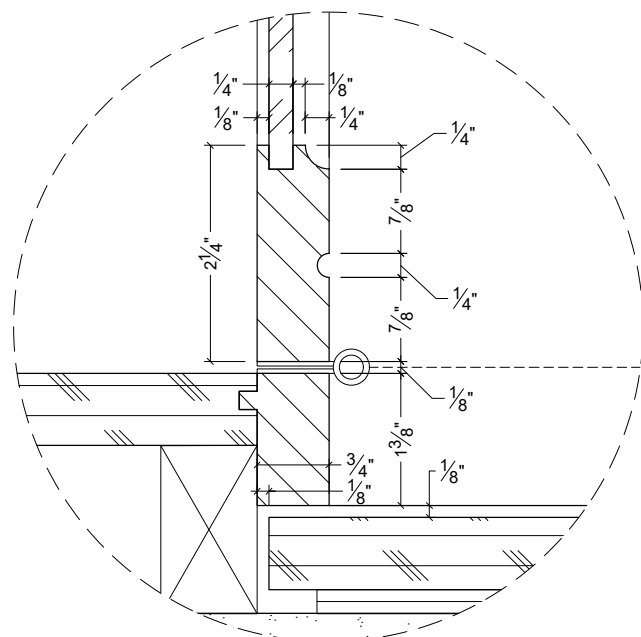
03



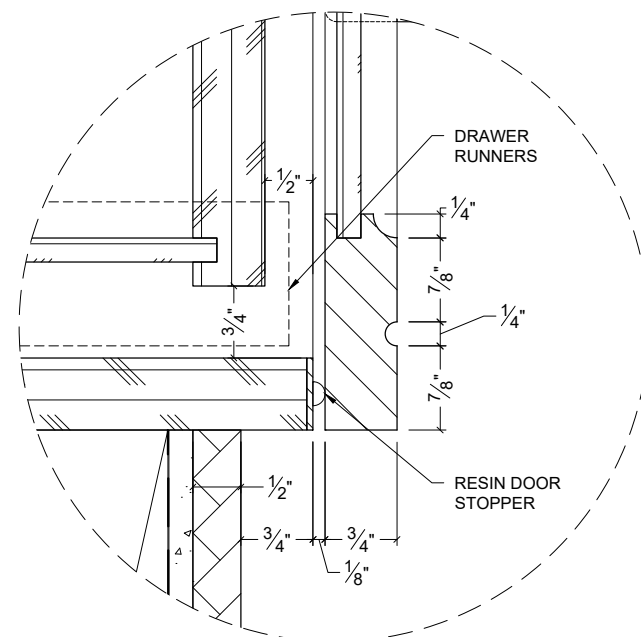
1
04 **DETAIL**
SCALE: 6"=1'-0"



3
04 **DETAIL**
SCALE: 6"=1'-0"



2
04 **DETAIL**
SCALE: 6"=1'-0"



4
04 **DETAIL**
SCALE: 6"=1'-0"

LEGENDS

MATERIAL LEGEND

- GWB
- PLYWOOD
- WOOD
- GLASS & MIRROR
- TILING & STONE
- CONCRETE

ADDRESS

BLD
STREET
CITY, STATE

DRAWING NAME

BATHROOM

PROJECT #

#43125

DATE

07/26/2017

DRAWN BY

CGI

PAGE #

04